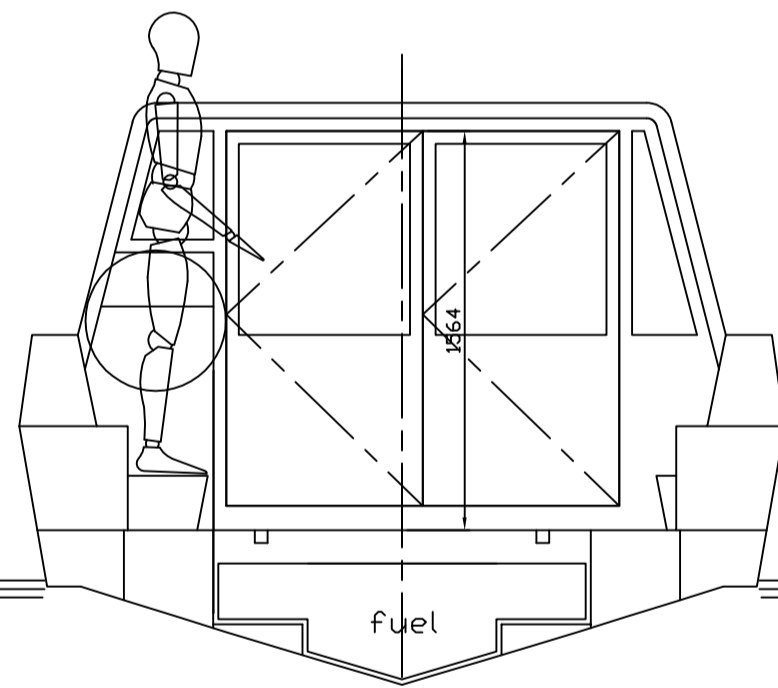
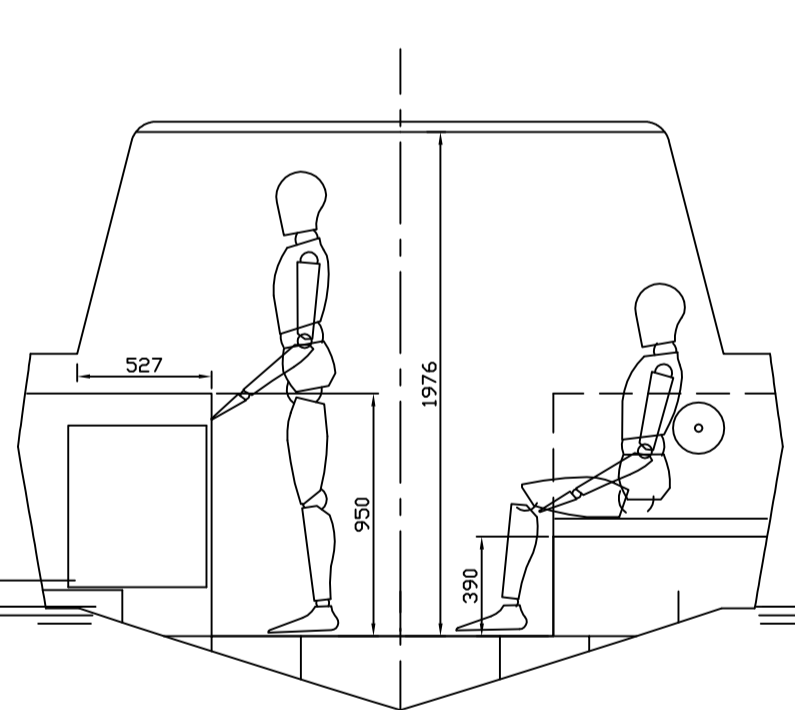


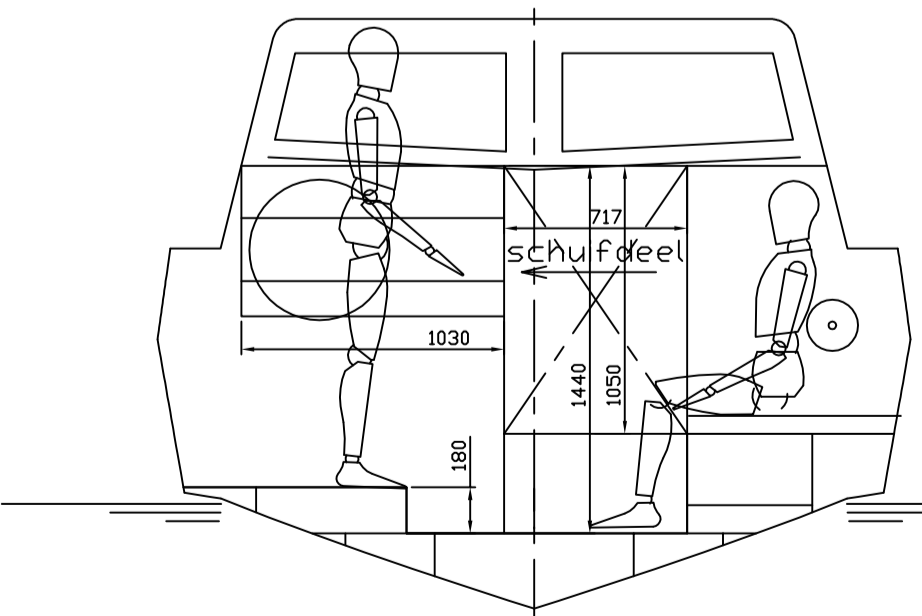
doorsnede A



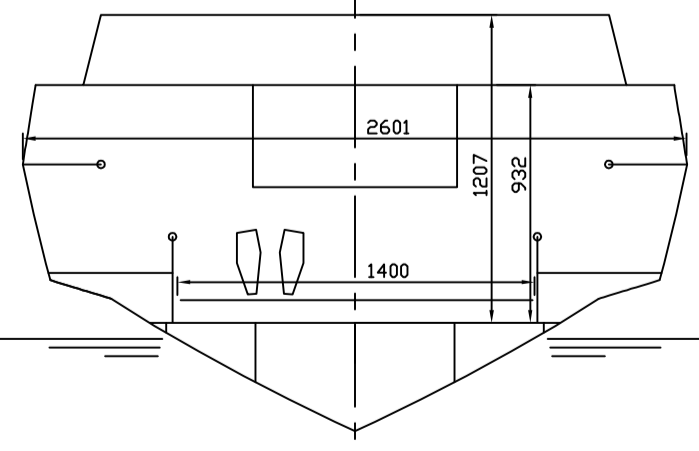
doorsnede B



doorsnede C



doorsnede D



doorsnede E

Main Principals

L moulded= 9,5 mtr.
B moulded= 2,99 mtr
T = 0,46 mtr
Min freeboard= 0,87 mtr
Appr. weight = 3750Kg

STORMER www.stormermarine.nl		Project no.:	Draw. no.:	Date:
		Title: Patrol 100	Scale:	Drawn: M.v. Vossen
change:	Remarks:	Code:		
change:	<small>All rights reserved. Neither the whole nor any part of this document may be reproduced, stored in retrieval system, or transmitted, in any form or by any means (electronic, mechanical, photocopying, recording or otherwise), without the prior permission of our Marine Engineering</small>			