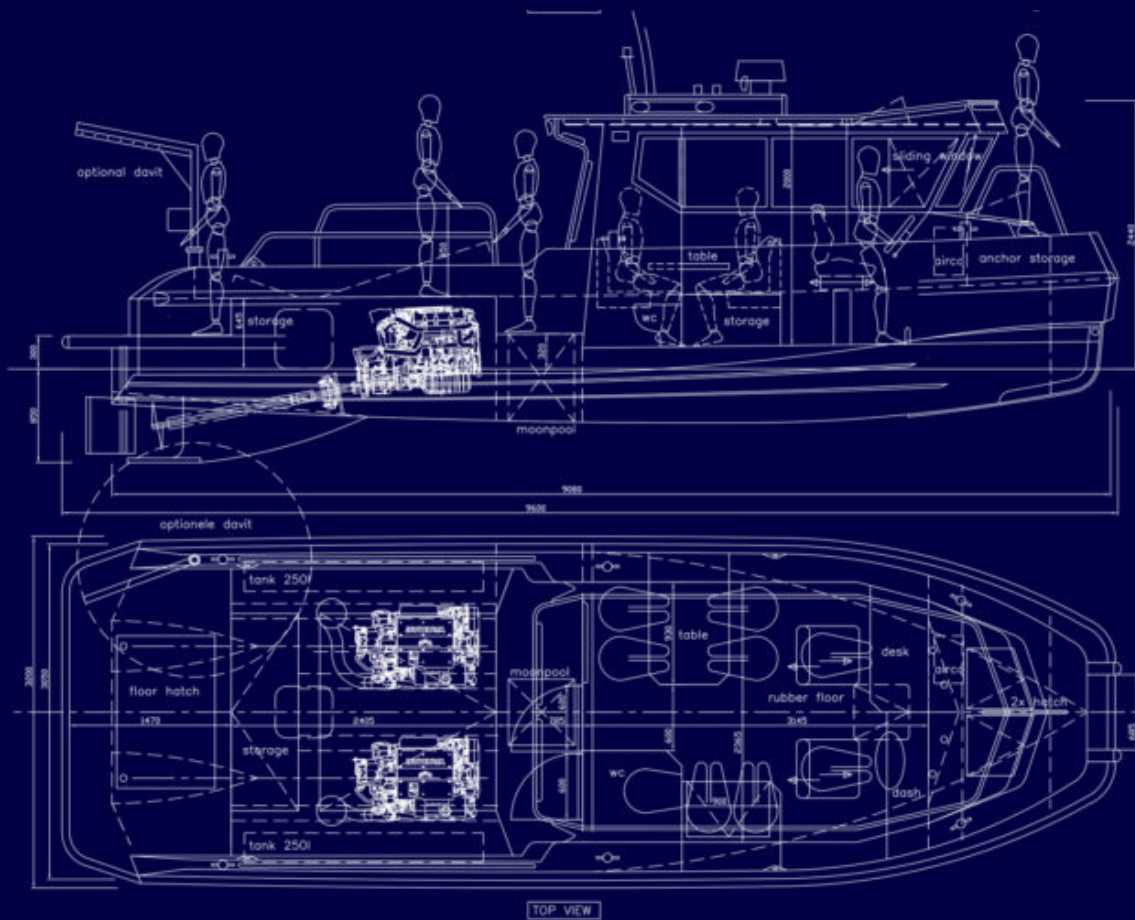


SPECIFICATIONS PORTER S 90

SPECIFICATION PORTER S 90

- Aluminium 5-8 mm code 5083
- Length overall 9,4 m
- Length hull 8,8 m
- Beam overall 3,0 m
- Beam hull 2,9 m
- Draft 0,9 m
- Air draft 2,4 m
- Fuel capacity 500 l
- Engine single or twin inboard
- Driveline Propellorshaft
- Cerification Ce-B mod B+C and CVO
- Moonpool single or double
- Side mounts on request



STORMER^o