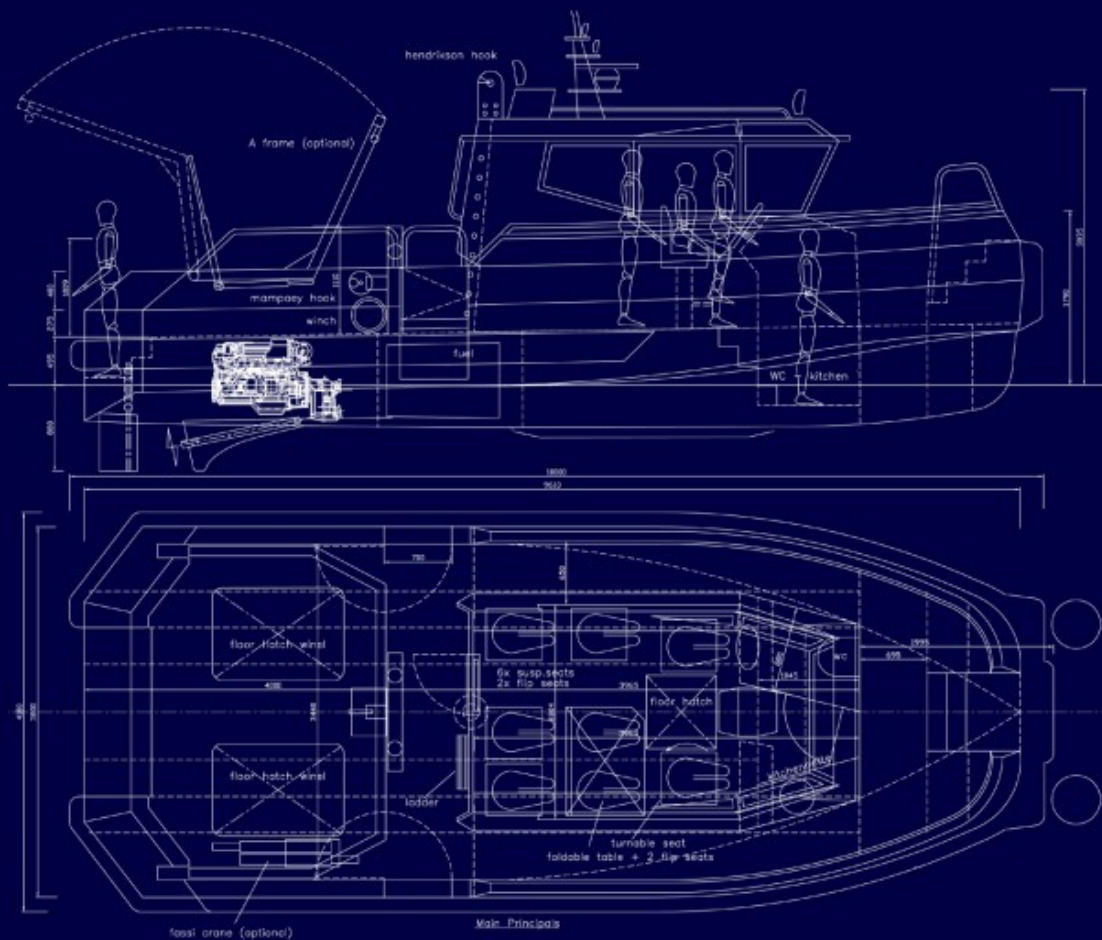


STORMER PORTER 100

• Length max	9,80 m
• Length hull	9,40 m
• Length DWL	9.24 m
• Beam max	3.90 m
• Beam mould	3.60 m
• Beam DWL	3.30 m
• Draft hull	0.45 m
• Draft DWL	0.83 m
• Volume DWL	5.45 m ³
• Displacement DWL	5.60 ton
• Speed design	30 kn
• Fuel	800 l
• Crew	4
• Design Category	B
• Engine	2x Volvo Penta -D4 225



STORMER^o