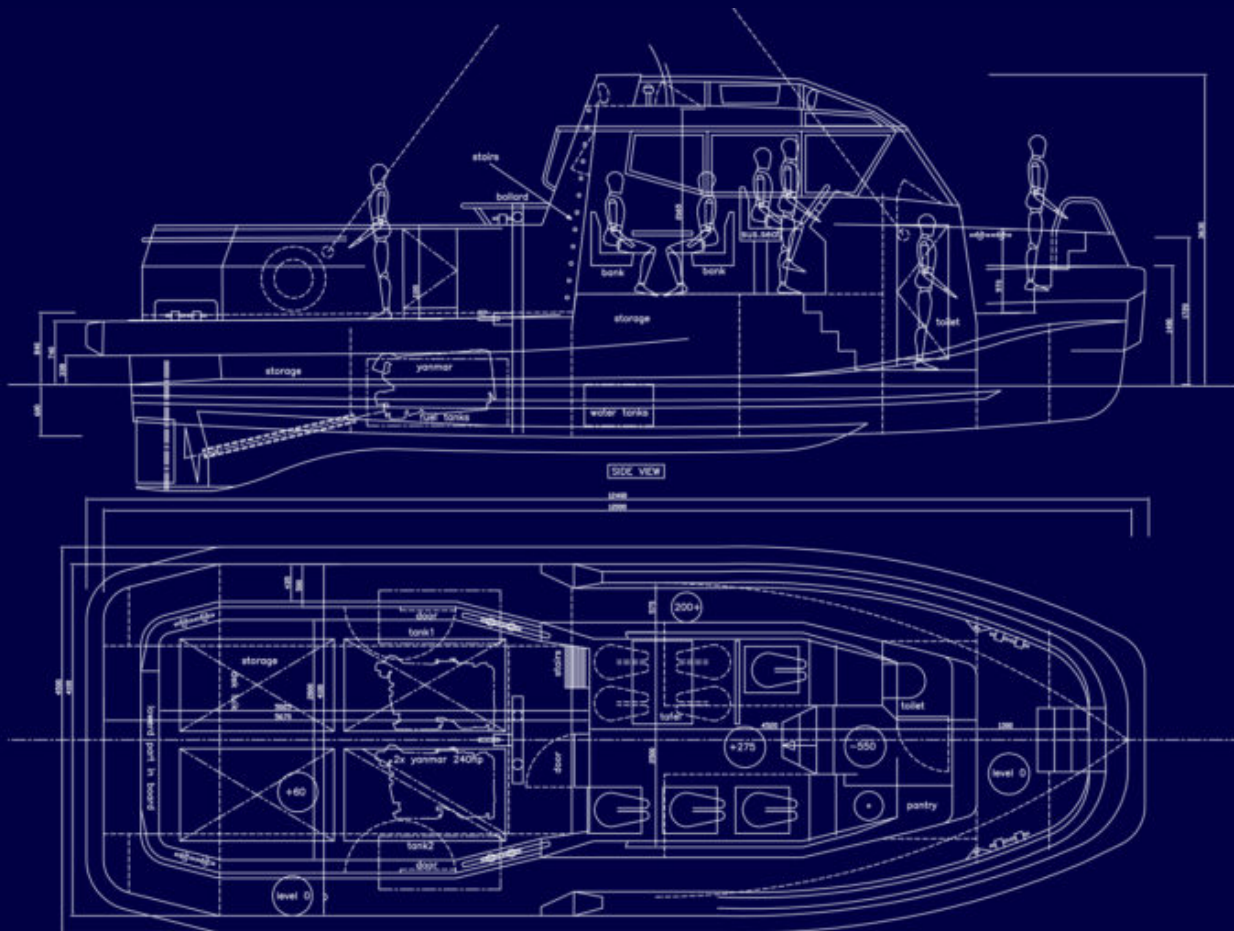


SPECIFICATIONS PORTER 120

• Length max	12,7 m
• Length hull	12,3 m
• Beam max	4,5 m
• Beam mould	4,1 m
• Draft hull	3,4 m
• Displacement DWL	approx. 9,5 ton
• Max speed	18 knots
• Cruise Speed	12 knots
• Crew	2 + 6 pax
• Fuel capacity	600l
• Engine	2x Yanmar 4LHA 240hp
• .	
• .	
• ref Class notation	Bureau Veritas (iron cross) hull
• .	special service workboat coastal area



STORMER[®]